



接近传感器

Proximity Sensor

备选可对应各种各样的模具的多种传感器。
Variety of sensors that meet variety of dies are provided.

可适用于下死点检测装置 MICRON-3
We'll strongly advise the use of this sensor for slug detector.

MICRON-3

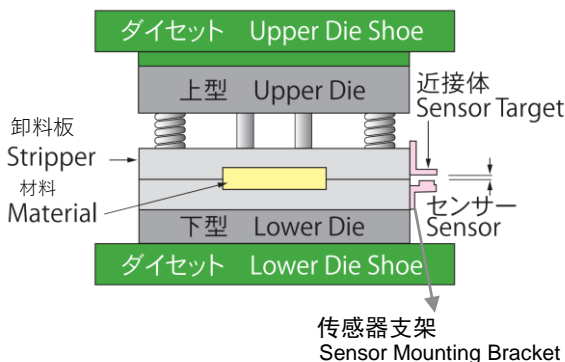


传感器延长线
Junction Cable

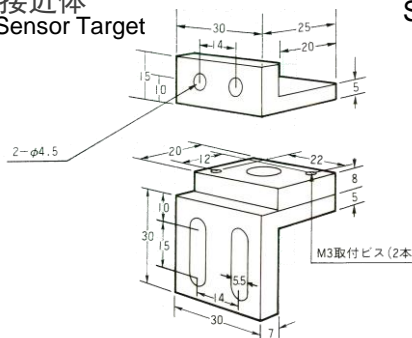
型式 Model 3RC(3m) / 5RC(5m)

<p>型号 Model KS-1010C</p>  <p>检测范围 Detection distance 0.8~1.8mm</p>	<p>型号 Model KS-1010(H)</p>  <p>检测范围 Detection distance 0.8~1.8mm</p>
<p>型号 Model KS-1310</p>  <p>检测范围 Detection distance 0.5~1.5mm</p>	<p>型号 Model KS-1310S</p>  <p>检测范围 Detection distance 0.5~1.5mm</p>
<p>型号 Model MS-1010</p>  <p>检测范围 Detection distance 0.8~1.8mm</p>	<p>型号 Model KS-1110C</p>  <p>检测范围 Detection distance 0.8~1.8mm</p>
<p>型号 Model KS-1210C</p>  <p>检测范围 Detection distance 0.8~1.8mm</p>	<p>型号 Model KS-1410</p>  <p>检测范围 Detection distance 0.5~1.5mm</p>
<p>型号 Model KS-1410S</p>  <p>检测范围 Detection distance 0.5~1.5mm</p>	<p>型号 Model KS-1510</p>  <p>检测范围 Detection distance 0.5~1.5mm</p>
<p>型号 Model MS-2003</p>   <p>20 3m±30mm ケーブル直径φ2.5 付属品 M14用六角ナット 2個(対面19, 厚み5) M14用取座 1個</p>	<p>备有冷镦机专用传感器。 Sensors for header machines are also available.</p>

安装于模具的示意图 Installation drawing



接近体 Sensor Target



传感器安装支架及接近体 Sensor Mounting Bracket and Target

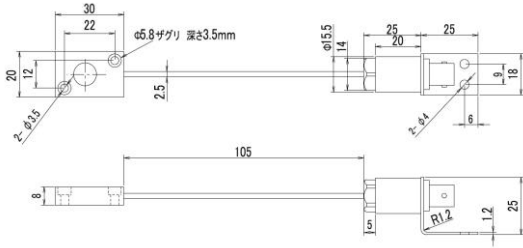
型号 Model **JMKS-1**



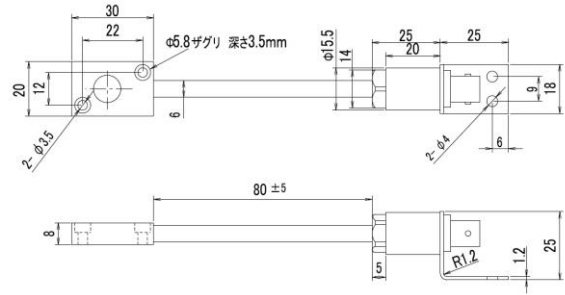
传感器安装支架
Sensor Mounting Bracket

传感器外观尺寸图 Dimensions

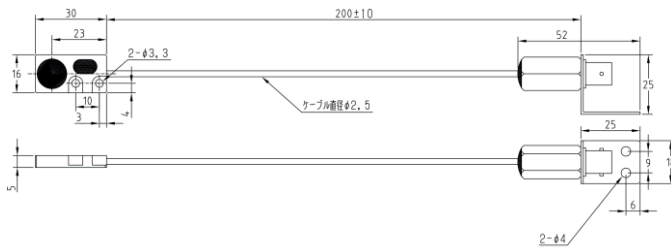
KS-1010 (C)



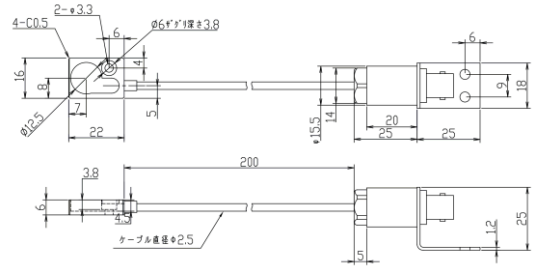
KS-1010 (H)



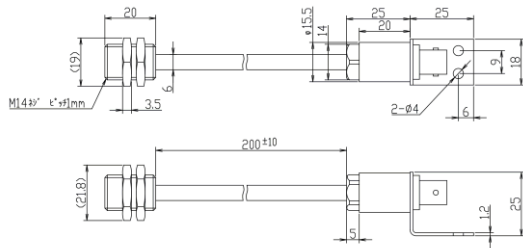
KS-1310



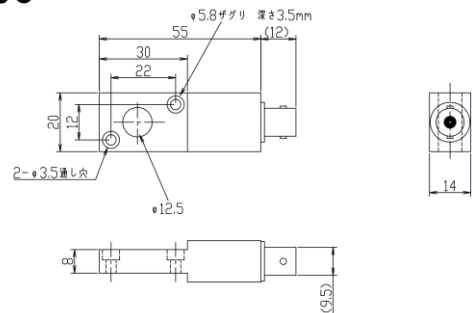
KS-1310S



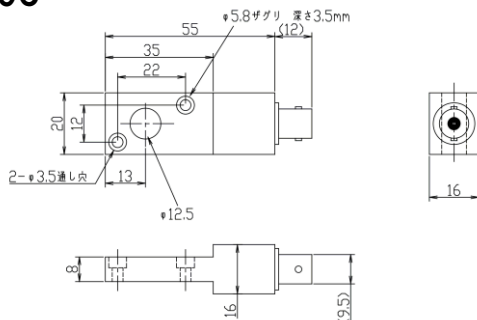
MS-1010



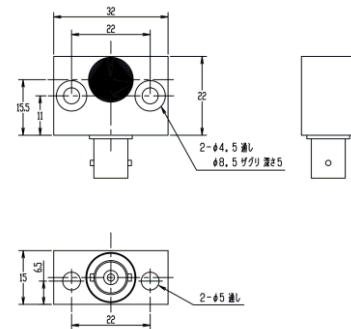
KS-1110C



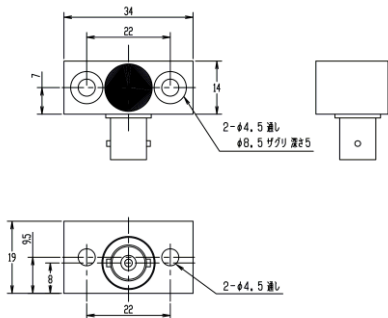
KS-1210C



KS-1410



KS-1410S



KS-1510

